

More great handles from Mardeco



Locarno by mardeco

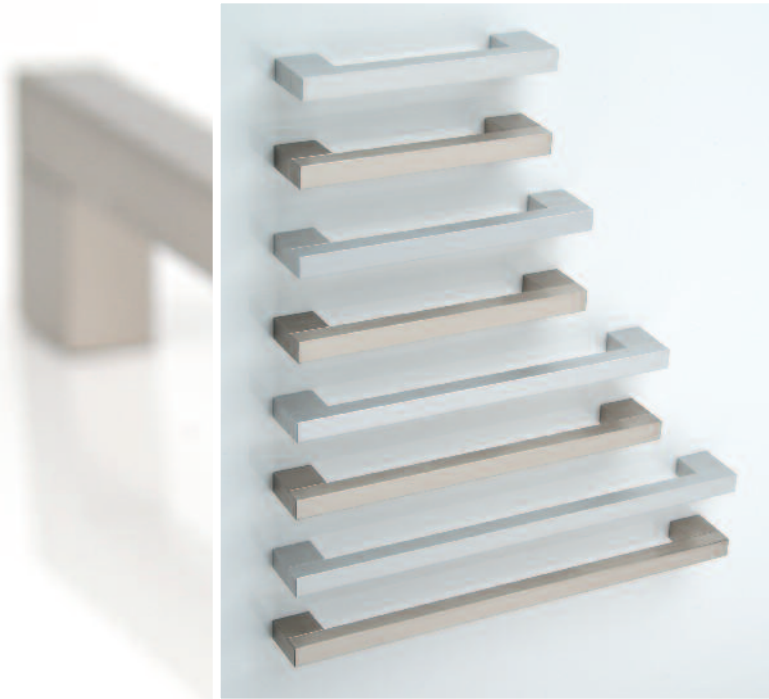
4035 Pull Handle (back to back)
range is available in 2 sizes and
finished in Satin Chrome or Brushed Nickel.

SC4035/160 Satin Chrome 160mm

SC4035/224 Satin Chrome 224mm

BN4035/160 Brushed Nickel 160mm

BN4035/224 Brushed Nickel 224mm



Merano by mardeco

4029 range is available in 4 sizes and finished in Satin Chrome or Brushed Nickel. Suitable for the kitchen and other cabinets.

SC4029/128 Satin Chrome 128mm
 SC4029/160 Satin Chrome 160mm
 SC4029/224 Satin Chrome 224mm
 SC4029/288 Satin Chrome 288mm

BN4029/128 Brushed Nickel 128mm
 BN4029/160 Brushed Nickel 160mm
 BN4029/224 Brushed Nickel 224mm
 BN4029/288 Brushed Nickel 288mm

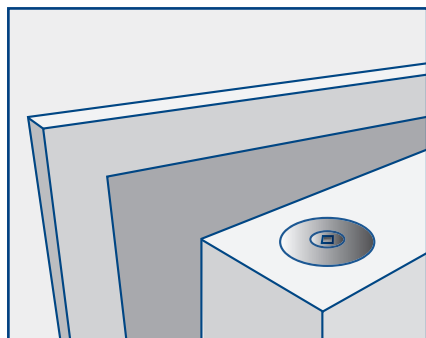
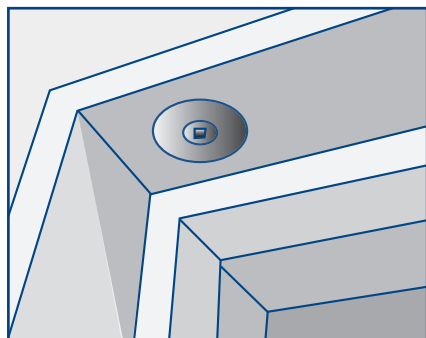


5036 Door Stop

SC5036 Satin Chrome
 BN5036 Brushed Nickel



Door Magnets
 MAG001



1145 Flush Pull

SC1145/128 Satin Chrome 128mm
 SC1145/160 Satin Chrome 160mm
 SC1145/224 Satin Chrome 224mm
 SC1145/288 Satin Chrome 288mm

BN1145/128 Brushed Nickel 128mm
 BN1145/160 Brushed Nickel 160mm
 BN1145/224 Brushed Nickel 224mm
 BN1145/288 Brushed Nickel 288mm



mardeco[®]
 international ltd
 we handle the best
 www.mardeco.co.nz

Handles from Mardeco

See the huge range of quality and low cost handles at your stockist or ask for a catalogue at 0800 820 840

Mardeco International Ltd. retain the right to change products and specifications without notice